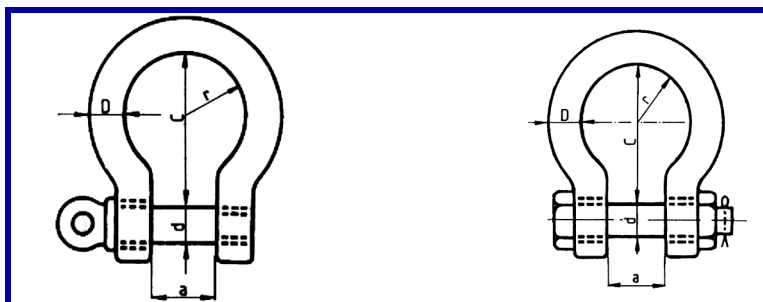


## Harpsluitingen

Veiligheidsfactor 6. Gegalvaniseerd.

Andere werklasten: prijs op aanvraag

## Harpsluiting met borstbout - harpsluiting met moerbout



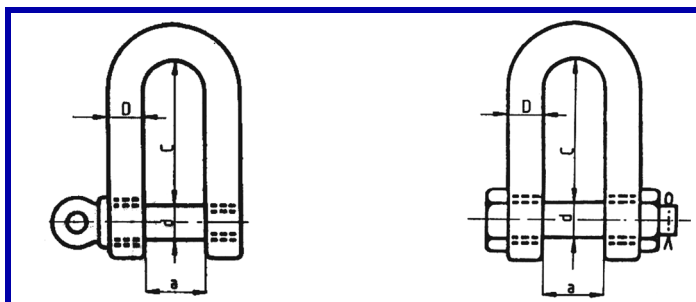
| Artikelcode<br>borstbout                | Veilige werklast<br>(kg) | Beugel/bout D/d<br>(mm) | a (mm) | c (mm) | r (mm) | Gewicht kg/100 | Prijs per stuk<br>€ |
|---|--------------------------|-------------------------|--------|--------|--------|----------------|---------------------|
| ELHBB00500                              | 500                      | 6-8                     | 12,0   | 25     | 10,0   | 6              | 1,20                |
| ELHBB00750                              | 750                      | 8-10                    | 13,5   | 27     | 10,5   | 11             | 1,70                |
| ELHBB01000                              | 1.000                    | 10-11                   | 16,0   | 31     | 13,0   | 15             | 1,90                |
| ELHBB01500                              | 1.500                    | 11-12                   | 18,0   | 37     | 14,5   | 21             | 2,40                |
| ELHBB02000                              | 2.000                    | 13-16                   | 22,0   | 43     | 16,0   | 37             | 3,20                |
| ELHBB03250                              | 3.250                    | 16-19                   | 27,0   | 51     | 21,5   | 65             | 5,20                |
| ELHBB04750                              | 4.750                    | 19-22                   | 31,0   | 59     | 25,5   | 106            | 8,50                |
| ELHBB06500                              | 6.500                    | 22-25                   | 36,0   | 73     | 29,0   | 156            | 12,20               |
| ELHBB08500                              | 8.500                    | 25-28                   | 43,0   | 85     | 34,0   | 232            | 18,40               |
| ELHBB09500                              | 9.500                    | 28-32                   | 47,0   | 90     | 37,5   | 328            | 25,60               |
| ELHBB12000                              | 12.000                   | 32-35                   | 51,0   | 94     | 41,5   | 451            | 37,00               |
| ELHBB13500                              | 13.500                   | 35-38                   | 57,0   | 115    | 46,0   | 593            | 50,00               |
| ELHBB17000                              | 17.000                   | 38-42                   | 60,0   | 127    | 49,5   | 789            | 61,70               |
| ELHBB25000                              | 25.000                   | 45-50                   | 74,0   | 149    | 63,0   | 1.340          | 103,00              |
| Artikelcode<br>moerbout met<br>splitpen | Veilige werklast<br>(kg) | Beugel/bout D/d<br>(mm) | a (mm) | c (mm) | r (mm) | Gewicht kg/100 | Prijs per stuk<br>€ |
| ELHMB00500                              | 500                      | 6-8                     | 12,0   | 25     | 10,0   | 6              | 1,30                |
| ELHMB00750                              | 750                      | 8-10                    | 13,5   | 27     | 10,5   | 11             | 1,90                |
| ELHMB01000                              | 1.000                    | 10-11                   | 16,0   | 31     | 13,0   | 15             | 2,10                |
| ELHMB01500                              | 1.500                    | 11-12                   | 18,0   | 37     | 14,5   | 21             | 2,90                |
| ELHMB02000                              | 2.000                    | 13-16                   | 22,0   | 43     | 16,0   | 37             | 3,70                |
| ELHMB03250                              | 3.250                    | 16-19                   | 27,0   | 51     | 21,5   | 65             | 6,10                |
| ELHMB04750                              | 4.750                    | 19-22                   | 31,0   | 59     | 25,5   | 106            | 10,00               |
| ELHMB06500                              | 6.500                    | 22-25                   | 36,0   | 73     | 29,0   | 156            | 14,40               |
| ELHMB08500                              | 8.500                    | 25-28                   | 43,0   | 85     | 34,0   | 232            | 20,70               |
| ELHMB09500                              | 9.500                    | 28-32                   | 47,0   | 90     | 37,5   | 328            | 29,30               |
| ELHMB12000                              | 12.000                   | 32-35                   | 51,0   | 94     | 41,5   | 451            | 42,30               |
| ELHMB13500                              | 13.500                   | 35-38                   | 57,0   | 115    | 46,0   | 593            | 57,20               |
| ELHMB17000                              | 17.000                   | 38-42                   | 60,0   | 127    | 49,5   | 789            | 70,50               |
| ELHMB25000                              | 25.000                   | 45-50                   | 74,0   | 149    | 63,0   | 1.340          | 119,00              |

### D-sluitingen

Veiligheidsfactor 6. Gegalvaniseerd.

Andere werklasten: prijs op aanvraag

### D-sluiting met borstbout - D-sluiting met moerbout



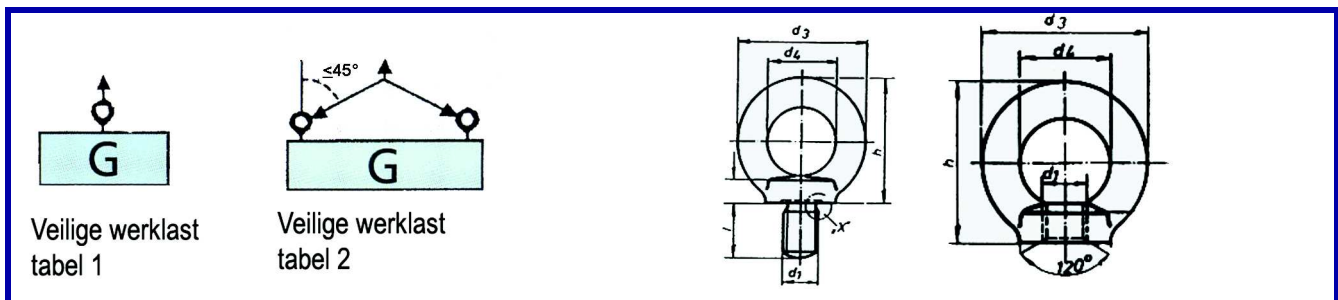
| Artikelcode<br>borstbout | Veilige werklast (kg) | Beugel/bout D/d<br>(mm) | a (mm) | c (mm) | Gewicht kg/100 | Prijs per stuk<br>€ |
|--------------------------|-----------------------|-------------------------|--------|--------|----------------|---------------------|
| ELDBB00500               | 500                   | 6-8                     | 12,0   | 25     | 6              | 1,10                |
| ELDBB00750               | 750                   | 8-10                    | 13,5   | 27     | 11             | 1,60                |
| ELDBB01000               | 1.000                 | 10-11                   | 16,0   | 31     | 15             | 1,80                |
| ELDBB01500               | 1.500                 | 11-12                   | 18,0   | 37     | 21             | 2,30                |
| ELDBB02000               | 2.000                 | 13-16                   | 22,0   | 43     | 37             | 2,90                |
| ELDBB03250               | 3.250                 | 16-19                   | 27,0   | 51     | 65             | 4,90                |
| ELDBB04750               | 4.750                 | 19-22                   | 31,0   | 59     | 106            | 8,30                |
| ELDBB06500               | 6.500                 | 22-25                   | 36,0   | 73     | 156            | 11,20               |
| ELDBB08500               | 8.500                 | 25-28                   | 43,0   | 85     | 232            | 16,20               |
| ELDBB09500               | 9.500                 | 28-32                   | 47,0   | 90     | 328            | 24,40               |
| ELDBB12000               | 12.000                | 32-35                   | 51,0   | 94     | 451            | 35,30               |
| ELDBB13500               | 13.500                | 35-38                   | 57,0   | 115    | 593            | 47,70               |
| ELDBB17000               | 17.000                | 38-42                   | 60,0   | 127    | 789            | 58,80               |
| ELDBB25000               | 25.000                | 45-50                   | 74,0   | 149    | 1.340          | 98,60               |
| Artikelcode<br>moerbout  | Veilige werklast (kg) | Beugel/bout D/d<br>(mm) | a (mm) | c (mm) | Gewicht kg/100 | Prijs per stuk<br>€ |
| ELDMB00500               | 500                   | 6-8                     | 12,0   | 25     | 6              | 1,30                |
| ELDMB00750               | 750                   | 8-10                    | 13,5   | 27     | 11             | 1,90                |
| ELDMB01000               | 1.000                 | 10-11                   | 16,0   | 31     | 15             | 2,00                |
| ELDMB01500               | 1.500                 | 11-12                   | 18,0   | 37     | 21             | 2,70                |
| ELDMB02000               | 2.000                 | 13-16                   | 22,0   | 43     | 37             | 3,40                |
| ELDMB03250               | 3.250                 | 16-19                   | 27,0   | 51     | 65             | 5,80                |
| ELDMB04750               | 4.750                 | 19-22                   | 31,0   | 59     | 106            | 9,50                |
| ELDMB06500               | 6.500                 | 22-25                   | 36,0   | 73     | 156            | 13,40               |
| ELDMB08500               | 8.500                 | 25-28                   | 43,0   | 85     | 232            | 19,00               |
| ELDMB09500               | 9.500                 | 28-32                   | 47,0   | 90     | 328            | 28,10               |
| ELDMB12000               | 12.000                | 32-35                   | 51,0   | 94     | 451            | 39,40               |
| ELDMB13500               | 13.500                | 35-38                   | 57,0   | 115    | 593            | 53,10               |
| ELDMB17000               | 17.000                | 38-42                   | 60,0   | 127    | 789            | 68,80               |
| ELDMB25000               | 25.000                | 45-50                   | 74,0   | 149    | 1.340          | 119,00              |

## Oogbouten - oogmoeren

Gegalvaniseerd. Volgens DIN 580

Materiaal staal C-15

Andere werklasten en maten: prijs op aanvraag



| Artikelcode oogbout | Veilige werklast tab. 1 (kg) | Veilige werklast tab.2 (kg) | d1   | d3 / d4  | h (mm) | l (mm) | Prijs per stuk € |
|---------------------|------------------------------|-----------------------------|------|----------|--------|--------|------------------|
| EL0058008           | 140                          | 95                          | M 8  | 36 / 20  | 36     | 15     | 0,80             |
| EL0058010           | 230                          | 170                         | M 10 | 45 / 25  | 45     | 18     | 1,30             |
| EL0058012           | 340                          | 240                         | M 12 | 54 / 30  | 53     | 22     | 1,80             |
| EL0058016           | 700                          | 500                         | M 16 | 63 / 35  | 62     | 28     | 2,90             |
| EL0058020           | 1.200                        | 830                         | M 20 | 72 / 40  | 71     | 38     | 4,00             |
| EL0058024           | 1.800                        | 1.270                       | M 24 | 90 / 50  | 90     | 38     | 8,60             |
| EL0058030           | 3.600                        | 2.600                       | M 30 | 108 / 60 | 109    | 45     | 16,40            |
| EL0058036           | 5.100                        | 3.700                       | M 36 | 126 / 70 | 128    | 55     | 36,60            |

| Artikelcode oogmoer | Veilige werklast tab. 1 (kg) | Veilige werklast tab.2 (kg) | d1   | d3 / d4  | h (mm) | i (mm) | Prijs per stuk € |
|---------------------|------------------------------|-----------------------------|------|----------|--------|--------|------------------|
| EL0058208           | 140                          | 95                          | M 8  | 36 / 20  | 36     | 15     | 0,80             |
| EL0058210           | 230                          | 170                         | M 10 | 45 / 25  | 45     | 18     | 1,30             |
| EL0058212           | 340                          | 240                         | M 12 | 54 / 30  | 53     | 22     | 1,80             |
| EL0058216           | 700                          | 500                         | M 16 | 63 / 35  | 62     | 28     | 2,90             |
| EL0058220           | 1.200                        | 830                         | M 20 | 72 / 40  | 71     | 38     | 4,10             |
| EL0058224           | 1.800                        | 1.270                       | M 24 | 90 / 50  | 90     | 38     | 8,50             |
| EL0058230           | 3.600                        | 2.600                       | M 30 | 108 / 60 | 109    | 45     | 15,90            |
| EL0058236           | 5.100                        | 3.700                       | M 36 | 126 / 70 | 128    | 55     | 34,60            |